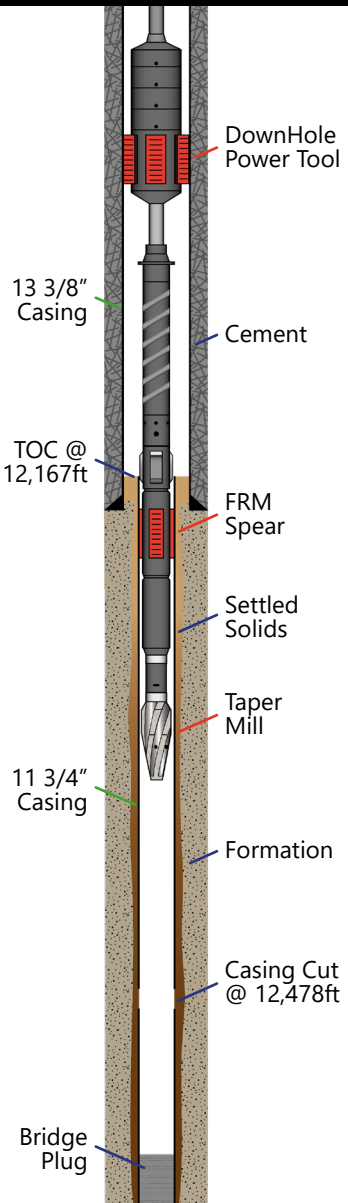


DOWNHOLE POWER TOOL BRINGING THE POWER

DHPT provides Open Hole access after Jarring unsuccessful



THE CHALLENGE

Working with our partner, Wellbore Fishing & Rental, a Gulf of Mexico client required 11 3/4" casing to be recovered from below the 13 3/8" Casing Shoe to allow an Open Hole Sidetrack as part of their Slot Recovery programme.

311ft of casing (260ft in Open Hole) remained stuck in the well even after 40 hits at maximum load from a Jarring BHA.

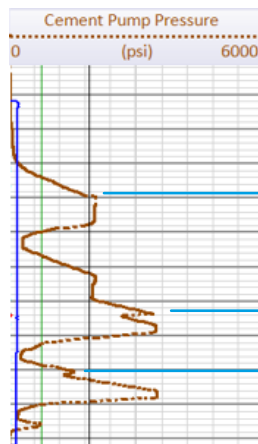
THE SOLUTION

Ardyne's DHPT generates up to 1.7Mlbs of pull force directly to stuck casing allowing for reduced trips in the hole, while reducing the time personnel are working in the redzone.

New components were designed for Ardyne's FRM Spear specific to the 11 3/4" casing weight, allowing improved functionality over conventional casing spears.

THE RESULT

The DHPT assembly was run in hole and the FRM Spear engaged in the 11 3/4" casing. The DHPT was then set inside the 13 3/8" host casing and the casing was pulled free with 1 Million lbs of force. An additional stroke of the DHPT with 470klbs of force was required before the rig took over and casing could be recovered to surface.



Shear Ring sheared to activate DHPT (2,000psi)

Begin pressuring up to 3,400psi (1M lbs). Casing begins to move

Reset & continue to jack casing, moving at 1,600psi (470klbs).

View Full range of Ardyne Case Studies
[Click to Open](#)



Single Trip capabilities enable operational time saving



Up to 60 hours time saving vs conventional



Avoid Jarring No post jarring derrick inspections



Increase Safety Reduced time spent in the Redzone